

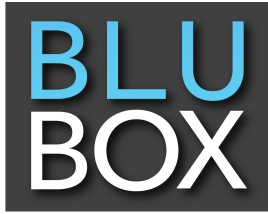
# BLU BOX

UVC STERILIZATION HOME



+27 73 370 5508 | [info@blubox.co.za](mailto:info@blubox.co.za)  
[www.blubox.co.za](http://www.blubox.co.za) | 33 Estmil Road, Diep River, Cape Town





UVC STERILIZATION

#### BLUBOX UVC PRODUCTS (PTY) LTD

Cell: +27 73 370 5508  
Email: info@blubox.co.za  
Website: www.blubox.co.za  
Address: 33 Estmil Road, Diep River, Cape Town  
Reg: 2020 / 479700 / 07

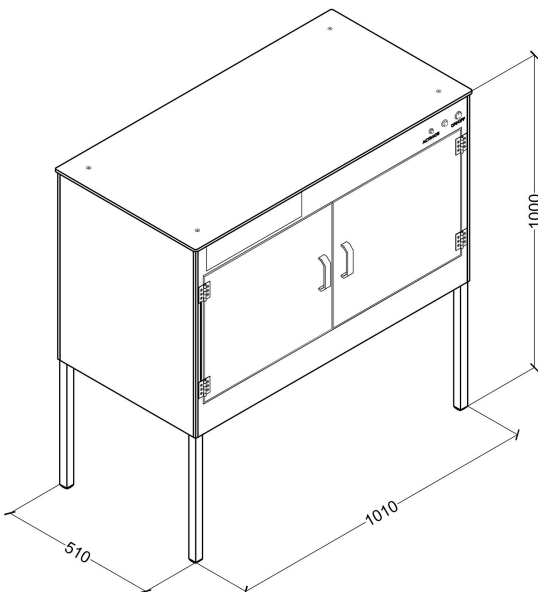
# Product Brochure

Home Model 01

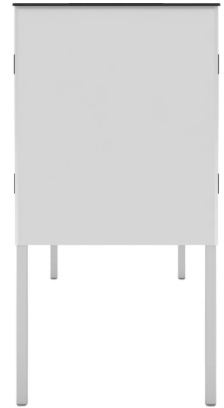
The COVID-19 pandemic has resulted in a need for better sterilization options, other than soap and sanitizer, both in the workplace and at home. The first priority for everyone right now is keeping themselves and others safe against the virus and the best way to do this is to inactivate the virus.

The **BLUBOX Home UVC Sterilization** unit gives you the ability to disinfect a wide variety of items, inactivating the virus in just 60 seconds..

## / TECHNICAL DATA



<b>DIMENSIONS</b>	1010mmw x 510mmd x 1000mmh
<b>WEIGHT</b>	24 kg
<b>MATERIALS</b>	Natural Anodised Aluminium & White Dibond Cladding
<b>TECHNOLOGY</b>	60-second UVC Sterilization Lamps at 254nm



## / SPECIFICATIONS

### / PRODUCT STRUCTURE

**BLUBOX Office** consists of a natural, anodized aluminium framework finished with white semi-reflective aluminium composite Dibond sheets and white aluminium trim. The black high-density nylon countertop is a hardwearing, easy to clean surface.

### / ACCESS

**BLUBOX Home** has doors on one side of the unit made from white semi-reflective aluminium composite Dibond sheets and magnetic latches for secure closure. The door edges are finished in a black PVC U-channel to prohibit light spilling out from the unit when active. Doors have sensors to ensure the lamp turns off when doors are opened while the lamp is active.

### / OPERATION

**BLUBOX Office** is operated with a momentary switch that activates the unit ensuring that any pathogens are rendered inactive within 60 seconds.

### / INTERNAL

The **BLUBOX Home** contains a removable stainless steel grid on which goods will be sterilized within the unit. The woven mesh structure and welded frame provide a strong and durable substrate for this intended use.

---

## / APPLICATIONS

Mobile phone / car keys / reading specs / sunglasses	Laptop / mouse / keyboard	Medical instruments
Face masks	Shoes & clothing	Dental equipment
Wallet credit cards / money	Groceries / food items	

## / TECHNOLOGY

**BLUBOX** Home offers the latest in UV-C lighting technology with low mercury vapour discharge and operating at 253.7nm wavelength for 60 seconds to ensure all pathogens, including COVID-19, are rendered inactive.

28ø x 900mm Philips TUV T8 UVC Medium Bi-Pin Fluorescent Lamps with low-pressure mercury vapour discharge. 253.7nm UVC wavelength. 102V, 30W, 0.37A. The lamps have a lifespan of 8000 hours.

## / WARNING



Lamps used are in Risk Group 3. Manufacturer guidelines should be strictly followed.

**UV LIGHT HAZARD:** To prevent possible serious injury, eyes and skin should not be exposed to direct or reflected ultraviolet energy emitted by this product.

**CAUTION:** Ultraviolet energy in use. Do not activate the unit with door open or open door while the product is active. Never look at lamps while they are on, lit or illuminated. To eliminate all exposure to UV-C light before servicing, turn off the power switch and disconnect from the power source.

A lamp breaking is extremely unlikely to have any impact on your health. If a lamp breaks, ventilate the room for 30 minutes and remove the parts, preferably with gloves. Put them in a sealed plastic bag and take it to your local waste facilities for recycling. Do not use a vacuum cleaner.

---

FOR MORE INFORMATION ON UV-C LIGHTING TECHNOLOGY VISIT OUR WEBPAGE AT:

[WHAT IS UV-C?](#)